

We Design

We Calculate

We Specify

We Simulate

We Analyze

We Evaluate

We Test

We Validate

We Advise

We Collaborate

We Qualify

We Mitigate

We Manage

We Initiate

We Commission

We Integrate

We Examine

We Investigate

We Inform

We Educate

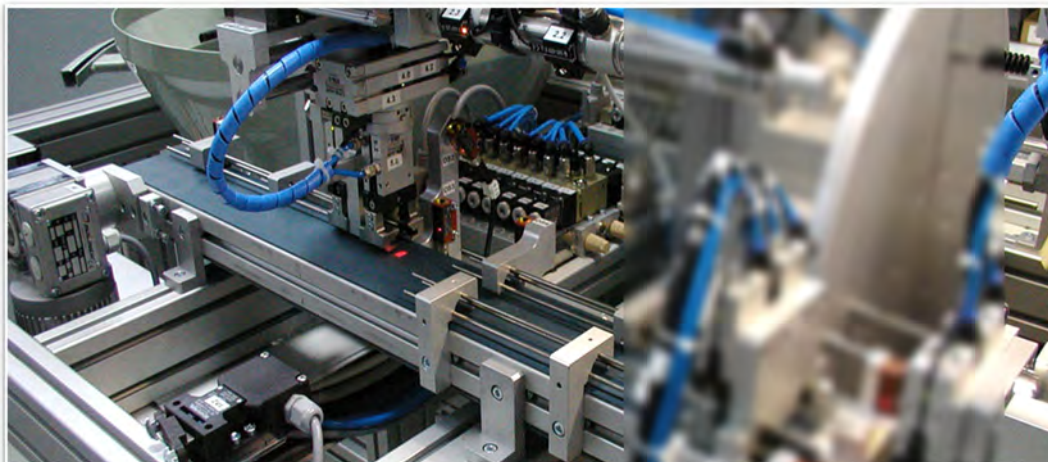
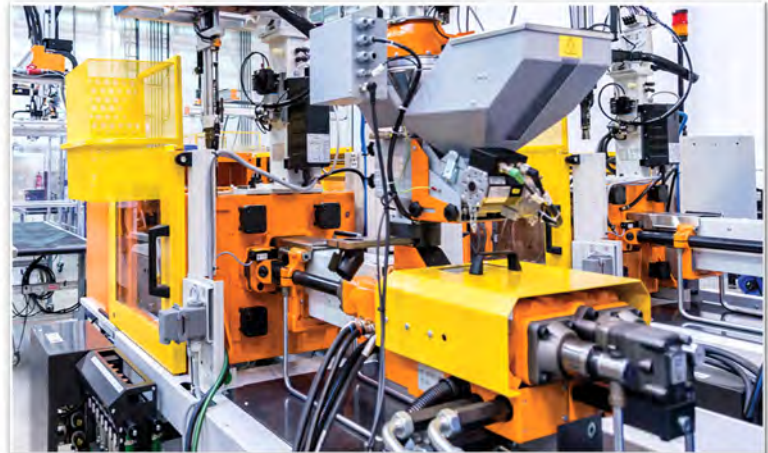
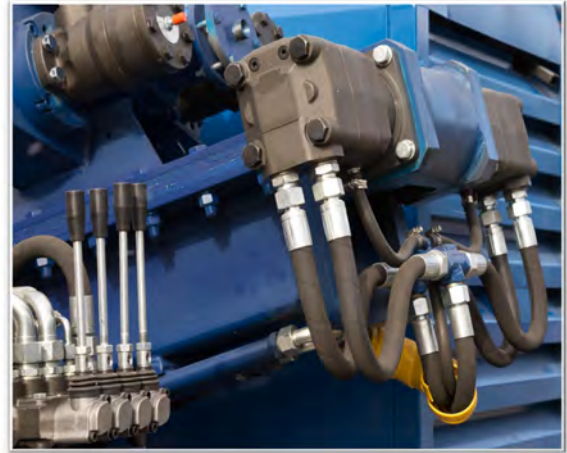


Fluid Power SME

Hydraulic and Pneumatic
Subject Matter Experts

About Fluid Power SME

Fluid Power SME are specialized experts with decades of hydraulic and pneumatic application experience. With significant backgrounds in design, fabrication, installation, commissioning, testing, troubleshooting, project management and training, we are uniquely and deeply qualified to bring a wealth of expertise from a wide variety of industries and applications. We do not manufacture, sell or repair components or systems. Fluid Power SME are respected, industry certified professionals that can bring unfiltered, objective advice and robust solutions to help our clients overcome technical challenges to bring their project initiatives to reality.



Expertise - What We Do

We know a lot about a lot and as our client, our expertise is your expertise. Fluid Power SME can bring a wealth of knowledge and skills to launch the hydraulic and pneumatic design phase of a project including circuit and bill of materials development, simulation, documentation, component sourcing, supplier qualification and can provide deep level consultation on numerous technical and commercial subjects. We are skilled at troubleshooting problematic systems and are experts in component and system failure analysis. For the development of your team and customers, we also offer outstanding technical training on a variety of subjects at all skill levels including customized, equipment specific programs to suit the uniqueness of your designs and needs.

The ability to fit into any complex environment is engrained in our DNA. We work with organizations of all sizes from all industries and all geographies and are ready and able to jump in and accelerate a project's development.

Fluid Power SME can bring in fresh perspective to any new, ongoing or mature project and offer objective third party evaluations and advice, empowering our clients to be more flexible and self-sufficient in their decision making.

Design



Fluid Power SME's strength is in our ability to take on and resolve difficult control and application challenges. We have the skills and expertise to develop unique and robust hydraulic and pneumatic solutions from the most basic open circuit configurations using fixed displacement pumps and through center valving to complex pre and post compensated load sensing systems, closed circuit hydrostatic drives and sophisticated closed loop electro-hydraulic and electro-pneumatic motion control. Our systematic approach to design considers the performance and reliability of the whole machine, not just it's individual parts.

Simulation

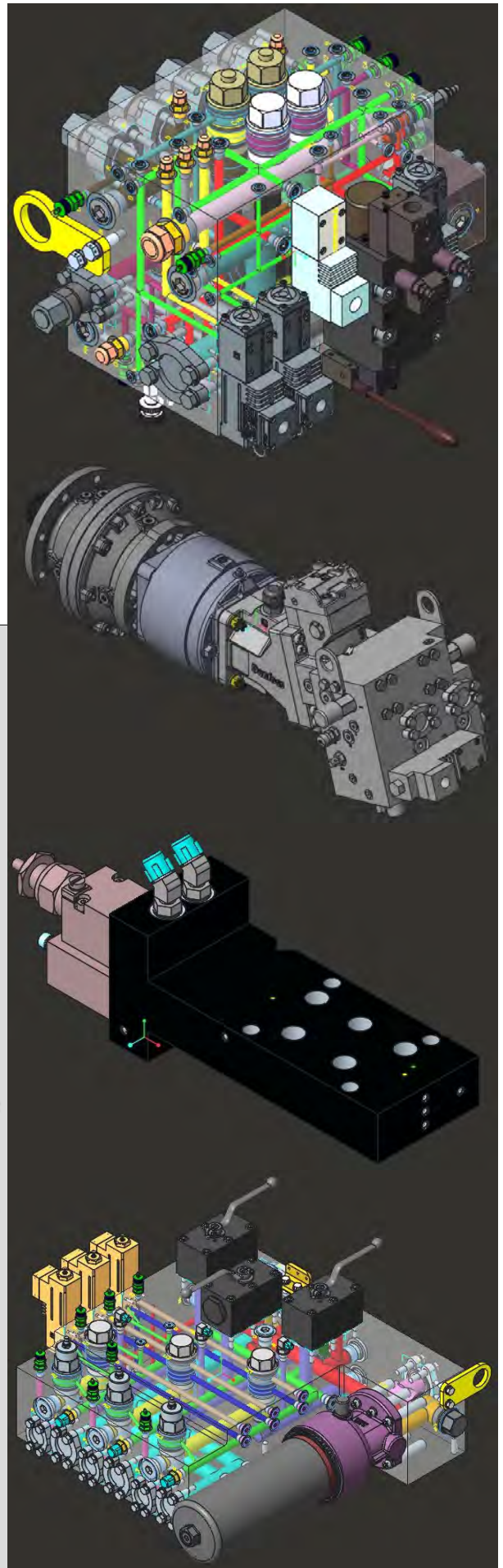
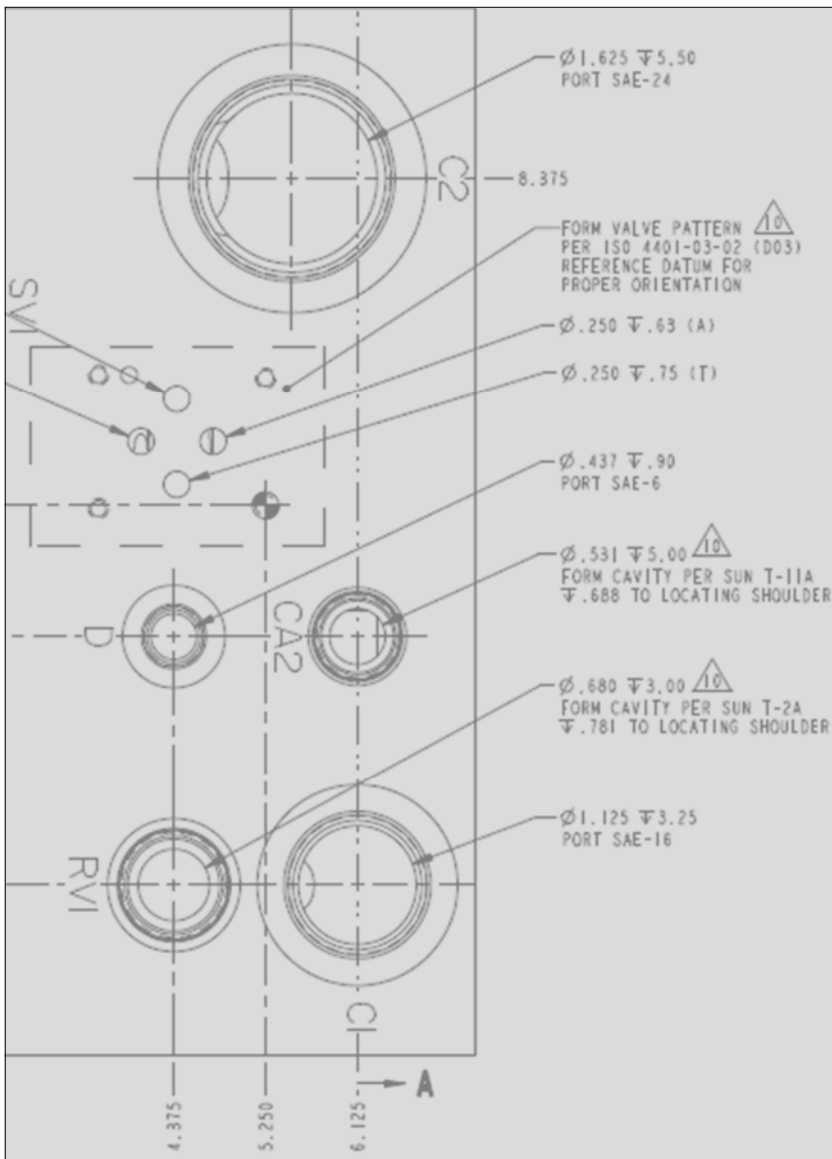


Modern Fluid Power design demands thorough analysis, validation and proof of circuit concept and it's specified components before a system is ever built. Fluid Power SME has partnered with Famic Technologies and their powerful design, simulation and documentation software Automation Studio™ to simulate and validate the performance and behavior of a machine's combined hydraulic, pneumatic, electrical, HMI and communications technologies as a complete system. Design flaws and costly rework can be mitigated using Automation Studio's FMECA assessment module to provide systematic evaluation of hydraulic and pneumatic component failure modes, their effects and consequence to provide for safer, more deterministic and reliable designs.

Custom Manifold Design

Integrated manifold circuits provide a flexible design option to package hydraulic and pneumatic components. Manifolds save valuable space and weight on a machine; simplify labor and assembly processes; decrease the number of interface connections to help reduce plumbing errors and eliminate leak points, and make a system more cosmetically appealing.

Fluid Power SME uses state of the art modeling software optimized to efficiently and accurately develop even the most complex of manifold designs. As our client, you own the manifold design will receive 3D machining and assembly models as wells as machining detail and assembly drawings complete with detailed bills of materials. Upon request, we can also provide detailed test procedures to confirm functionality.

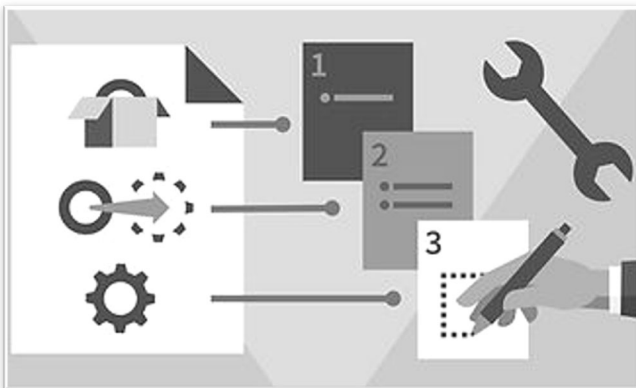


Consultation



It is not always practical to build up a design team to include every discipline for every project. A lot of time and money can be spent searching for the right candidate and all too often, it is a fruitless endeavor. Working with Fluid Power SME enables scaling of a team based on a project's real needs, changes in workload and market conditions. Collaborating with a consultant means you won't have to become an expert yourself. Rather than having to recruit, hire and onboard the right candidate with the right skills at the right time, bearing all the costs of retaining a permanent, full-time employee, Fluid Power SME becomes an extension of your team, providing all of the expertise and resources needed to launch the hydraulic and pneumatic design phase of a project, freeing your team to focus on other critical needs.

Documentation



Documentation is an essential requirement for any piece of equipment, new or used. Without it, safe and efficient operation, maintenance and repair would be nearly impossible. Whether in the initial phase to help facilitate the discussion on how to go about the design and manufacturing of a piece of equipment, to complete deliverable packages including circuit schematics, bills of material, assembly and sub assembly drawings and as well as test, commissioning and maintenance procedures, Fluid Power SME can provide detailed documentation packages for any project and produce documents on your company standard drawing title blocks and templates as well.

Failure Analysis



It happens. Even well designed and maintained systems break down and components fail due to normal wear as they reach the end of their normal lifespan. Other times and all too often, however, failures occur due to poor system design, incorrectly specified or misapplied components, not operating equipment within design limits, or an overall failure to properly maintain a system to a degree that preserves normal functionality and reliability to the required level. Fluid Power SME has the knowledge and partnerships with entities skilled in analyzing component failures and system design deficiency that impact a machines reliability. We bring objective, third-party observation, analysis and investigation to identify root causes and propose corrective courses of action to assure component life, system reliability and machine up time. 5

Sourcing



Finding and selecting the right vendor can be daunting. It requires technical competency, product knowledge, an understanding of the market and the suppliers that serve it and how all of these variables fit into how your company does business. Whether it is specifying the correct component for a new design or application, identifying the best partner as the source of supply or in finding suitable alternates when dealing with lead time, delivery or product obsolesce issues, Fluid Power SME has extensive industry knowledge of component manufacturers and suppliers. Since we do not sell components or systems, you can be assured that our recommendations are unbiased and will provide the highest of degree of quality, reliability and value.

Training


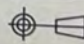


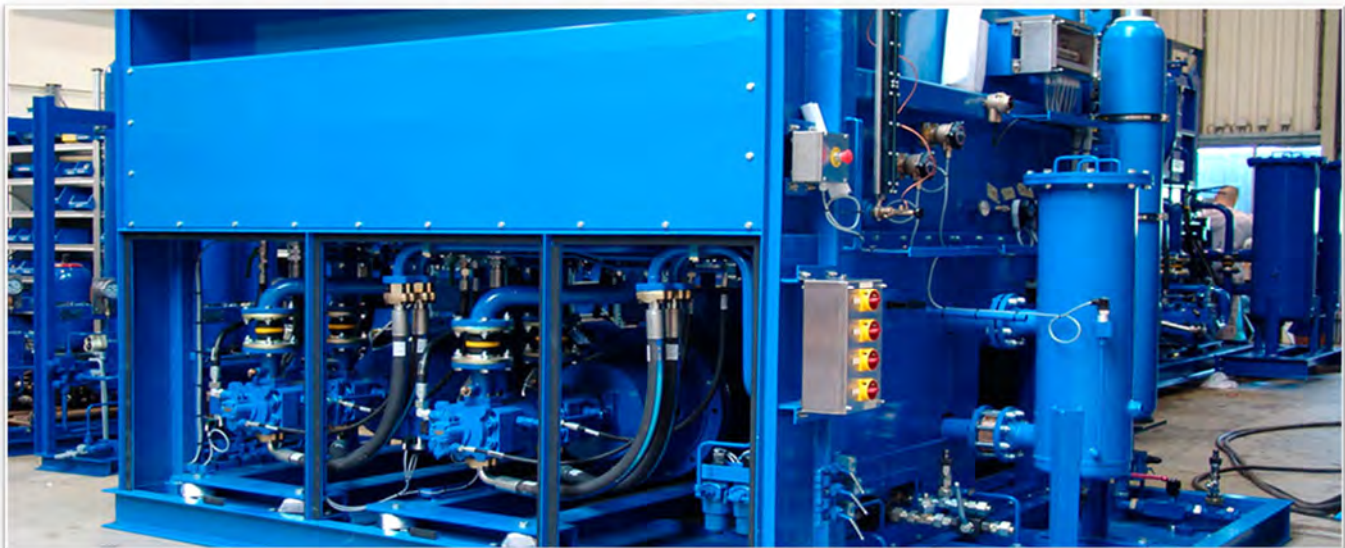
Who benefits from fluid power training? You do. Your employees do. And equally important, your customers do. Anyone involved in the buying, selling, design, maintenance or repair of hydraulic or pneumatic systems, components or related accessories will excel by learning the sound fundamentals and techniques presented in our courses. Even those with "years of experience" but have never had the opportunity to attend these type of programs will find them useful and valuable. This is an excellent opportunity to give your employees a competitive edge and your customers the level of expertise they expect.

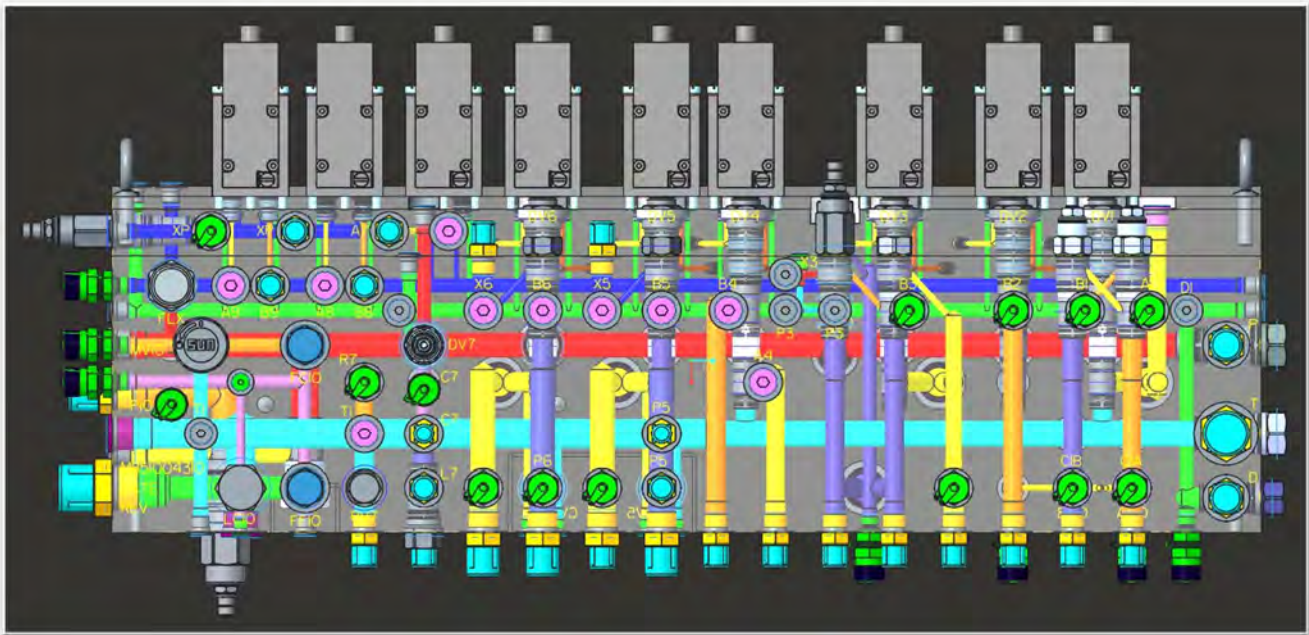
Certification



The industrial world around us is changing and now more than ever, there is an expectation that those in the skilled trades are credentialed. More than academics, certification is a demonstrated measure of competence, evaluated and affirmed by objective, third party entities. Fluid Power SME is strong and enthusiastic supporter of certification for Hydraulic and Pneumatic industry professionals. The *International Fluid Power Society* is the preeminent global organization uniquely qualified to assess and credential those working in Fluid Power. We are honored to advocate on their behalf to empower opportunity for individuals in our industry.

 Fluid Power SME		THIS DOCUMENT IS THE COPYRIGHTED PROPERTY OF FLUID POWER SME. IS CONTENTS ARE TO BE CONSIDERED PROPRIETARY AND CONFIDENTIAL. REPRODUCTIONS OR DISTRIBUTION IN WHOLE OR PART WITHOUT EXPRESS WRITTEN CONSENT FROM FLUID POWER SME IS STRICTLY PROHIBITED.		A
TITLE: SCHEMATIC, HYDRAULIC HYDROSTATIC DRIVE		DOCUMENT NUMBER: 3167937533-SCH	REVISION: 01	
3	2	SIZE: D	PROJECTION: 	SCALE: NONE
				SHEET: 1 OF 1
				1





Mission

Fluid Power SME's mission is rather simple - to improve the operating and technical experience of our clients with unique and value added solutions that promote the benefits of hydraulic and pneumatic technologies in industry.

Commitment

Fluid Power SME is solely focused on bringing out the best in our relationships with our clients. We know that without you there is no us; but together, we can achieve great things. Our promise to you is to deliver our very best, every time.

For more detailed information on what Fluid Power SME can do for you, check us out at www.FluidPowerSME.com

Phone: +1 281-888-6460 Fax: +1 281-248-8887



SCAN ME